

Customer _____

Rep _____ Date _____

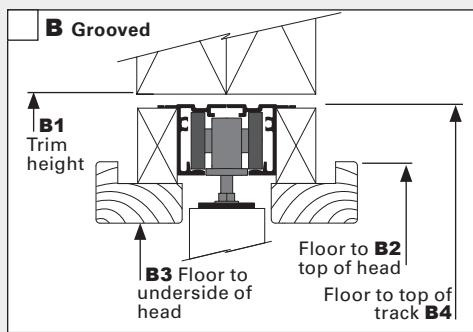
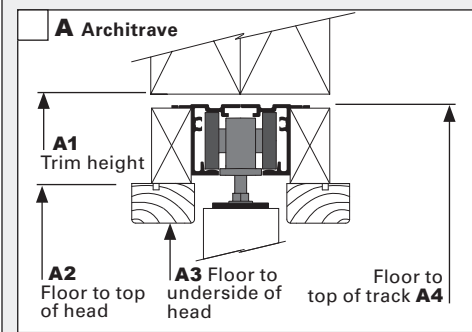
Address/
contact _____

Door ref _____



Only one Door per Form

Select Head Detail (A or B)



Critical height dimension: **A1 A2 A3 A4 A5 B1 B2 B3** (Circle one only) is: _____ mm

Options

Wall configuration

- 10/90/10 10/94/10 13/90/13

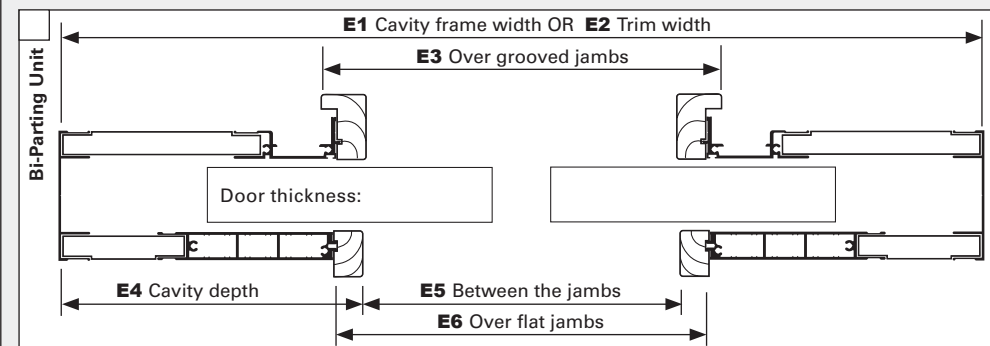
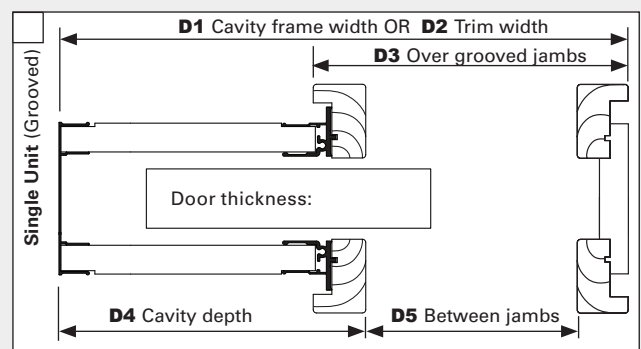
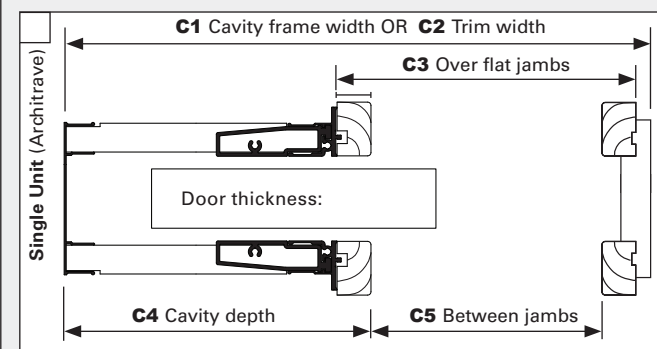
SofStop®

- Soft Close Soft Open

Site Access

- OK Track Off

Select Plan View (C, D or E)



Mutually Agreed Critical Measurement of Dimension:

- C1 C2 C3 C4 C5 D1 D2 D3 D4 D5 E1 E2 E3 E4 E5 E6

(Please circle one only) is: _____ mm.

Flooring:

Will cavity frame sit hard on top of the finished or unfinished floor?

1. Finished floor

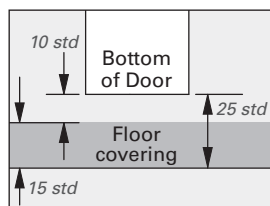
Required clearance from bottom of door to finished floor:

_____ mm (minimum 10mm)

2. Unfinished floor

Proposed total thickness of floor covering (incl. adhesive/underlay):

_____ mm (standard 15mm, e.g. typical carpet & underlay)



Required clearance from bottom of door to finished floor:

(minimum 10mm) _____ (typical 10mm)

Door

Type _____

Finish _____

Glass _____

H/W _____

CS Fitting H/W Y / N

H/W height _____

Who is supplying the door?

Cust. CS No door

Use door size as critical measurement

Height _____ Width _____

Additional Detail:

Please contact your rep for job progress enquiries or contact your nearest office:

Auckland Head Office T 09 276 0800 E salesakl@csfordoors.co.nz

Waikato T 07 928 0800 E salesbop@csfordoors.co.nz

Christchurch T 03 348 6158 E saleschch@csfordoors.co.nz

Signed by CS FOR DOORS rep _____

Rep's contact no. _____

Signed by (or on behalf of customer) _____

Print name _____